



## Vegetable Slicer Cutter-mixer 5.5l/5.8qt, var. speed, 1300w, nema 5-15p

ITEM # \_\_\_\_\_  
 MODEL # \_\_\_\_\_  
 NAME # \_\_\_\_\_  
 SIS # \_\_\_\_\_  
 AIA # \_\_\_\_\_



**602245 (DK55)**

Cutter Mixer, variable speed (300-3700 RPM). Supplied with 5,5 lt/5.8 quart removable stainless steel bowl with clear BPA-free lid, equipped with scraper. Fine serrated blade rotor and metal motor housing 1-1/3HP

### Short Form Specification

Item No. \_\_\_\_\_

Cutter Mixer, variable speed (300-3700 RPM). Supplied with 5,5 lt/5.8 quart removable stainless steel bowl with clear BPA-free lid, equipped with scraper. Fine serrated rotor and metal motor housing 1-1/3HP

### Main Features

- Emulsifier function (scraper) included as standard.
- All parts in contact with food are removable without the use of tools, completely dismountable and dishwasher safe.
- Pulse function to coarse chopping.
- Base fixed cover for a better handling.
- Delivered with:-5.8 qt stainless steel cutter bowl, transparent lid, scraper and microtoothed blade rotor.
- Capacity:-cutter mixer working capacity from 3.5 ounce (100 g) to 5.5 lbs (2.5 kg), for 50-100 meals per service.

### Construction

- All blades (available on request) are made in stainless steel and dishwasher safe.
- Power: TK55 - 1.3 HP.
- Stainless steel bowl has a high chimney to ensure high productivity also when processing liquids (75% of the nominal capacity).
- IPX5 (IP55) flat panel touch-control, watertight panel.
- Compact and portable design.
- Asynchronous industrial motor with no brushes for high reliability and quiet functioning, stainless steel motor shaft.
- Improved ventilation system to manage smoothly heavy duty use.
- Reinforced feet to withstand the repeated handling of the unit.
- Food processing at 10 variable speeds: 300-3700 rpm.

### Included Accessories

- 1 of Lid and bowl scraper for 5.8 qts PNC 650102 (5.5 L) cutter mixer
- 1 of Stainless steel bowl for 5.8 qts PNC 653590 (5.5 L) cutter mixer
- 1 of MICROTOOTHED BLADE ROTOR - 5,5L CUTTER-MIXER PNC 653879

### Optional Accessories

- Lid and bowl scraper for 5.8 qts (5.5 L) cutter mixer PNC 650102
- Stainless steel bowl for 5.8 qts (5.5 L) cutter mixer PNC 653590
- SMOOTH BLADE ROTOR - 5,5L CUTTER-MIXER PNC 653878
- MICROTOOTHED BLADE ROTOR - 5,5L CUTTER-MIXER PNC 653879
- MICROTOOTHED BLADE ROTOR (EMULSIONS) - 5,5L CUTTER-MIXER PNC 653880

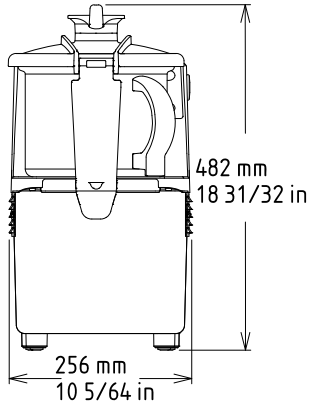
APPROVAL: \_\_\_\_\_

Vegetable Slicer  
Cutter-mixer 5.5l/5.8qt, var.speed, 1300w, nema 5-15p

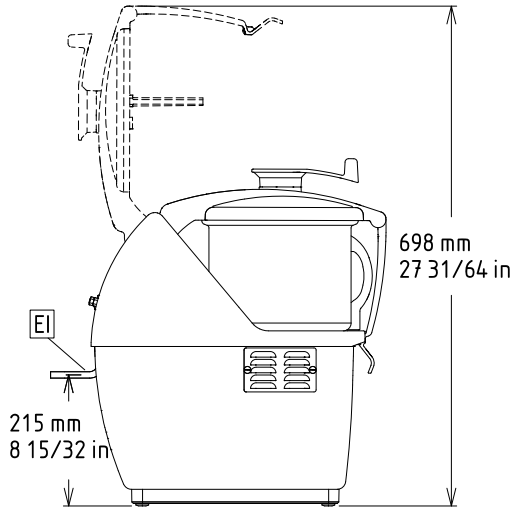


# Vegetable Slicer Cutter-mixer 5.5l/5.8qt, var. speed, 1300w, nema 5-15p

Front

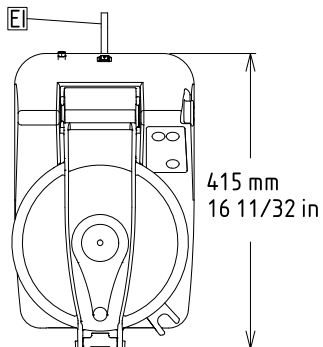


Side



**EI** = Electrical connection

Top



Electric

**Supply voltage:**

**602245 (DK55)**

110-120 V/1N ph/60 Hz

**Total Watts:**

1.3 kW

**Plug type:**

USA NEMA 5-15P

Key Information:

**External dimensions,  
Width:**

10 1/16" (256 mm)

**External dimensions,  
Depth:**

16 5/16" (415 mm)

**External dimensions,  
Height:**

19" (482 mm)

**Shipping width:**

11 13/16" (300 mm)

**Shipping depth:**

23 5/8" (600 mm)

**Shipping height:**

21 5/8" (550 mm)

**Shipping weight:**

57 lbs (26 kg)



Vegetable Slicer  
Cutter-mixer 5.5l/5.8qt, var.speed, 1300w, nema 5-15p

The company reserves the right to make modifications to the products  
without prior notice. All information correct at time of printing.

2024.12.05